



End-to-End solution for CAM

Sapience TechSystems

Agenda

- Siemens NX CAM
- CAM Readiness
- The Key Benefits
- Why Sapience



Siemens NX CAM

- NX CAM is a specialized CAM software from Siemens Industry Software
- NX CAM delivers real differences through key capabilities such as its advanced programming, post processing and simulation functionality
- NX provides a complete set of NC programming capabilities in a single CAM system as well as an integrated set of manufacturing software applications.



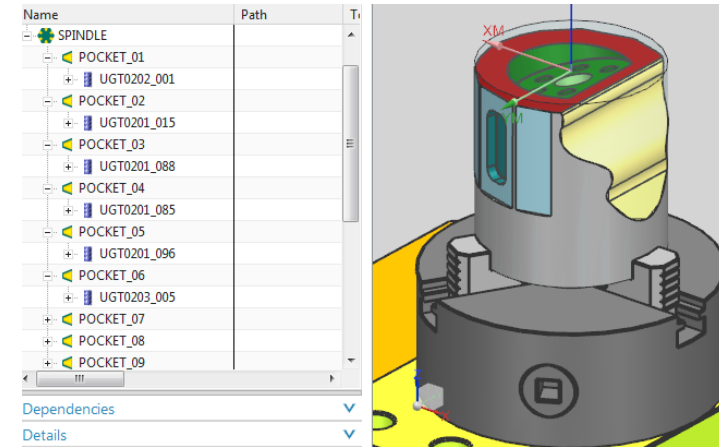
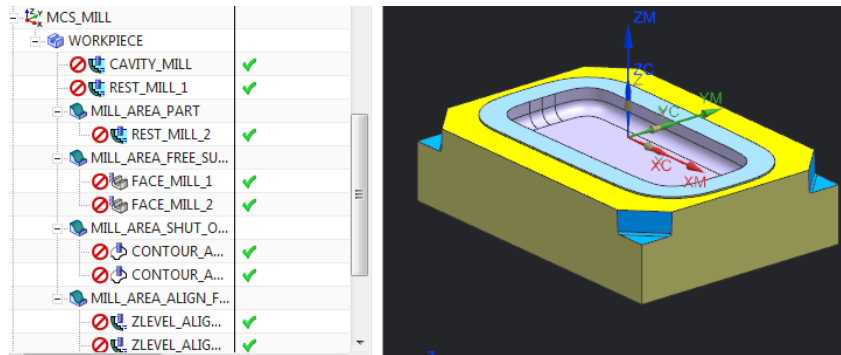
End to End Solution for CAM

- MACH Setup Template
- 3D Models of Machine Tool
- 3D Models of Cutting Tools & Holders
- Postprocessor
- Machine Simulation
- User Documentation



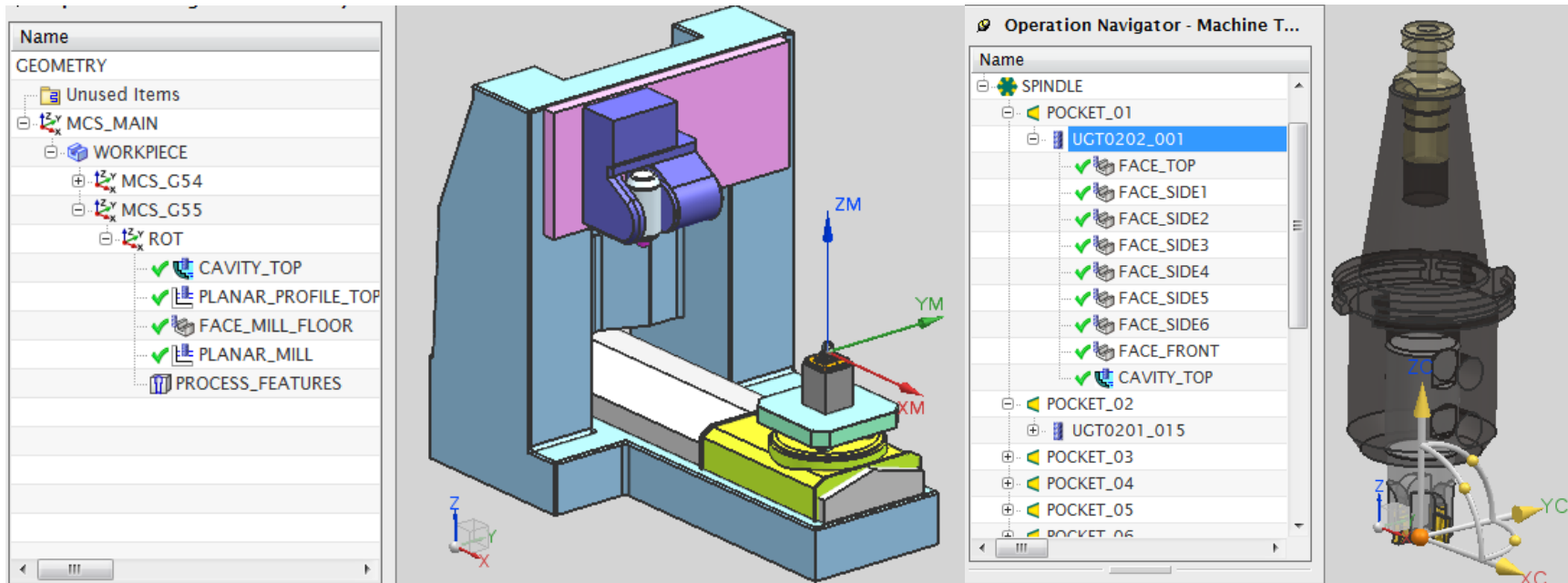
MACH Setup Template

- Preconfigured frequently used setups, operations, cutting tools & geometries.
- Avoiding repetitive work.
- Standardized work environment



3D Models of Tools & Holders

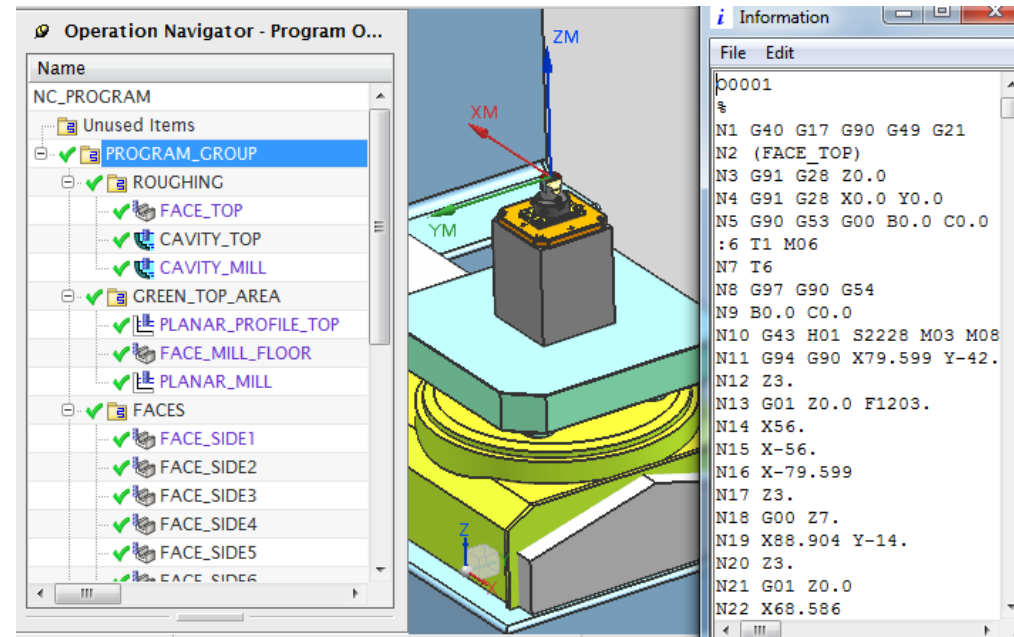
- Used for collision checking between machine parts, cutting tools, holders, fixture & workpiece



Postprocessor

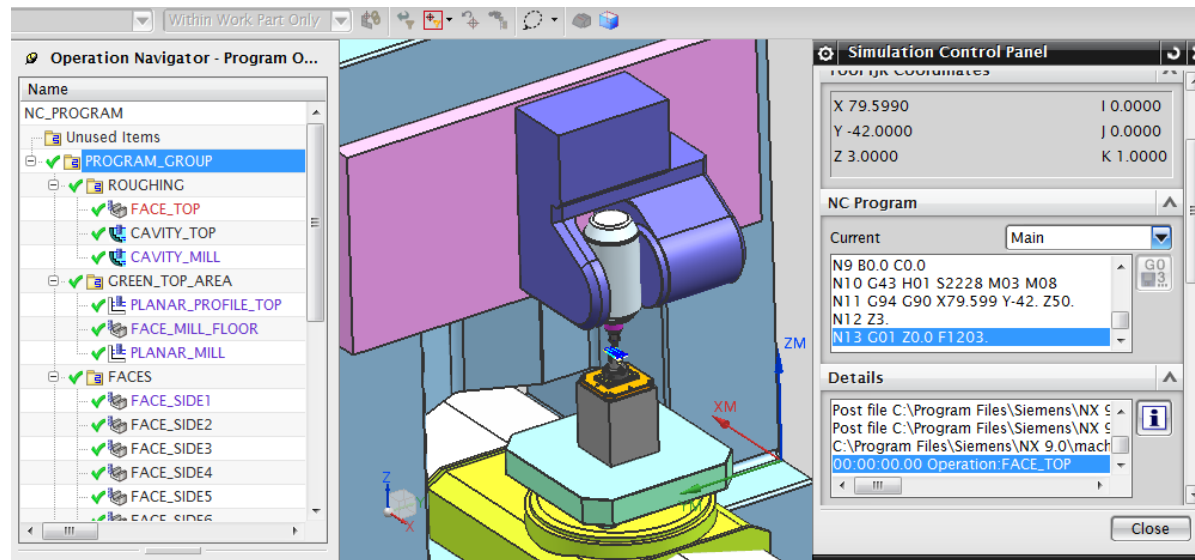
Customized postprocessor with settings related to

- Machine controller
- Machine kinematics
- Company specific format
- User specific requirement
- Production part specific requirement



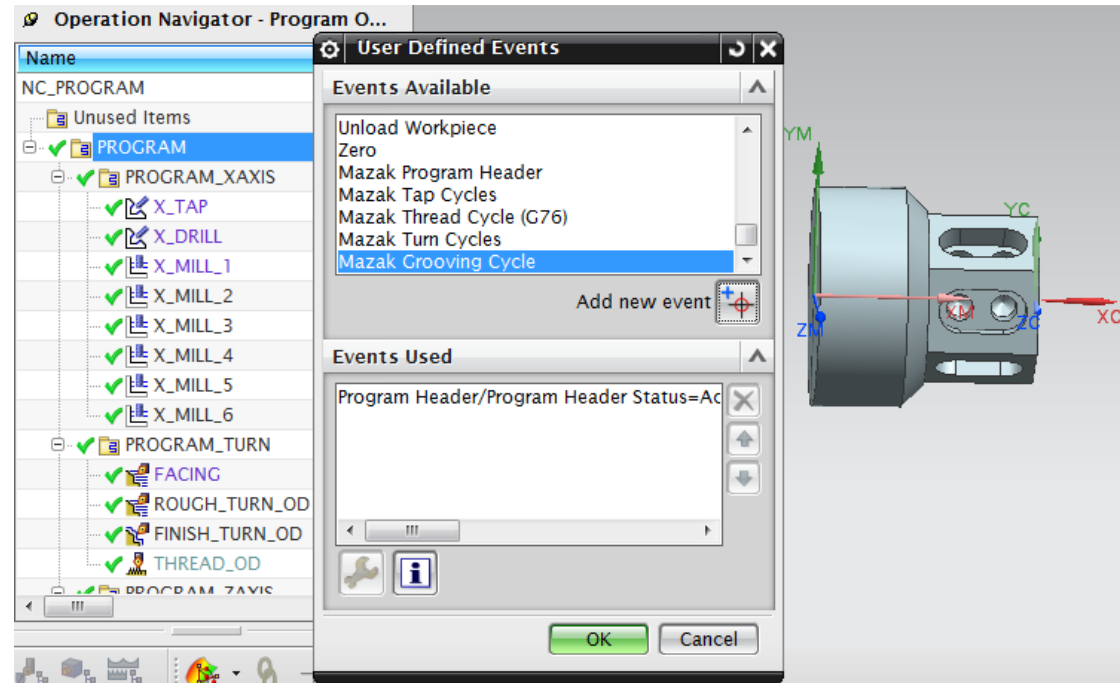
ISV Machine Simulation

- Realistic G code driven machining simulation.
- Collision checking between machine parts, cutting tools, holders, fixture & workpiece.
- Feasibility checking of machinability of workpiece, travel limit violation,
- Highlight issues in fixture design, cutting tool & holder design if any.



User Documentation

- How to use MACH set up template, postprocessor & machine simulation.
- User Defined Events (UDEs) usage & its output.
- Preconfigured post abort messages.
- Do's & Don'ts, if any.



The key Benefits

- Risk Management:
- Capacity Management:
- Reduced response
- Competitive Advantage
- Marketing Benefit



Why Sapience

- A dedicated team to support the existing NX CAM users
- Expertise in all the areas of NX CAM
- Capability to Scale Up the team
- Good experience and understanding of end customer's technical requirements
- Proven execution capability to end customer (Wipro Aerospace, Bajaj Auto, ISRO, Sandvik)





THANK YOU!